

5mm Infrared LED

Model NO: IR5123C -R

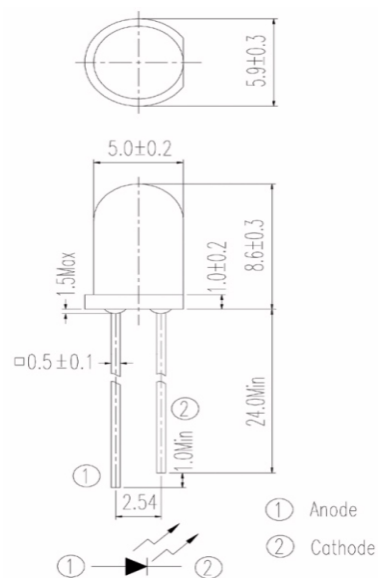
1. Applications:

- *Optoelectronic switch
- *Infrared applied system
- *Free air transmission system
- *Smoke detector

2. Description:

The device is spectrally matched with phototransistor, photodiode and infrared receiver module.

3. Package Dimensions: Unit: mm



5mmInfrared LED

Model NO: IR5123C -R

4. Absolute maximum ratings (T_a = 25°C)

Parameter	Symbol	Rating	Unit	Notice
Continuous forward current	I _f	50	mA	
Peak forward current	I _f	1.0	A	
Reverse voltage	V	5	V	
Operating temperature	T	-40 ~ +85	°C	
Storage temperature	T	-40 ~ +85	°C	
Soldering temperature	T	260	°C	t < 5S
Power dissipation	P	100	mW	

5. Electronic optical characteristics:

Parameter	Symbol	min	typ	max	Unit	Condition
Radiant intensity	E _e	5.6	7.8		mW/sr	I = 20mA
			35			I = 100mA, t _p = 100μs
			350			I = 1A, t _p = 100μs
Peak wavelength	λ _p		850		nm	I = 20mA
Spectral bandwidth	Δλ		45		nm	I = 20mA
Forward voltage	V		1.2	1.5	V	I = 20mA
			1.4	1.8	V	I = 100mA, t _p = 100μs
			2.6	4.0	V	I = 1A, t _p = 100μs
Reverse current	I			10	μA	V = 5V
View angle	2θ _{1/2}		30		deg	I = 20mA

5mmInf Rared LED

ModelNO: IR5123C -R

6. Typical electrical/optical/characteristicsurves

