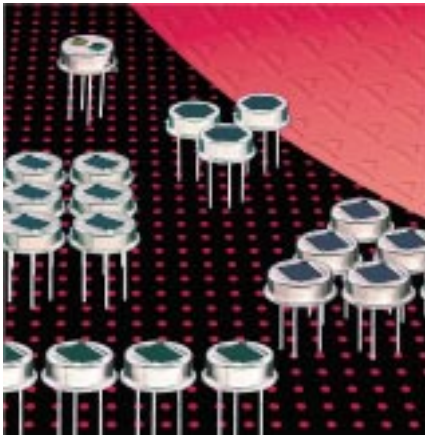


Pyroelectric Detector LHi 874/878

Dual Element configuration including FET and optical window

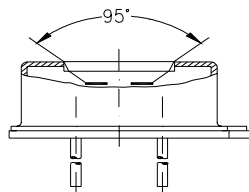


Dual Element Detector

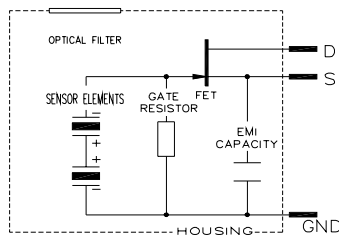
Universal Applications

The **LHi 874** and **LHi 878** pyroelectric infrared-detector series are the standard dual element design recommended for all variants of motion control. They include a dual element pyro-electric ceramic with FET in source follower connection.

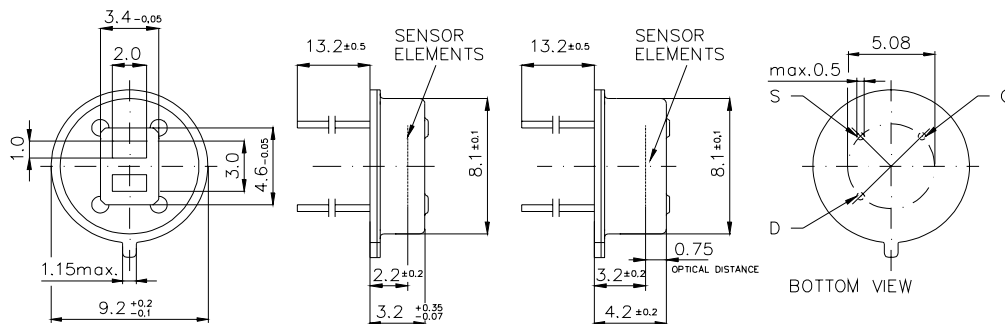
The **LHi 874** is available as **TO-39**, whereas **LHi 878** detector is available in **TO-5** housing with standard infrared filter. They both offer high responsivity with excellent common mode performance (match). For both variants RF improved options are available.



Field of View



Parameters	LHi 874/ 878			
	min	typical	max	units condition
Element size		2x1		mm ² (2 elements)
Responsivity	3 300	4000		V/W 100°C, 1 Hz
Match		1	10	%
Noise		20	50	µVpp 25°C, 0,3...10Hz
Offset Voltage	0,2		1,55	V R _s =47kΩ, 25°C
D*	5x10 ⁷	19x10 ⁷		cm √Hz/W 1Hz Bw,100°C, 1 Hz
Output Impedance		5	10	kΩ R _s =47kΩ, 25°C
Operating Voltage	2		15	V R _s =47kΩ, 25°C
Field of View, horizontal		95		° unobstructed
vertical		90		° unobstructed
Operating Temperature	-40		85	°C non permanent
Storage Temperature	-40		85	°C non permanent



Dimensions in mm