

## SL622 PIR Motion Detecting Module

---

### Product Overview

This auto-control product SL622 is based on the infrared line technology, with high sensitivity, reliability and ultra low-power working mode. It is widely used in all kinds of auto-detecting electrical equipment, particularly dry battery supplied products.

### Product Features

- Automatic Induction:  
When people enter into the range of induction, it will output high level; when people leave, it will turn off high level and output low level with delay.
- Photoresistor control (it is optional, defaulted setting: off): It will trigger only in the darkness.
- Temperature Compensation (optional, defaulted setting: Off): In summer, environment temperature raises to 30~32°C, which causes sensing range shortening. The temperature compensation will make some compensation for it.
- Triggering in two ways:
  - A. Unrepeatable triggering mode:  
After the sensor output high level with a period delay, It automatically turns to output low level.
  - B. Repeatable triggering mode:  
After it outputs high level, during the delay period, if there is presence of people, it keeps outputting high level until people leave, then turns to low level. Each time the sensor detecting an activity from human body, the module will automatically postpone a delay-time period and start to count the delay time from the latest detected motion.
- Sensing Blocking Time (Default: 2.5s): The module can set a blocking time period after every output. During this period, the sensor will refuse any kinds of sensing signal. The interval work between sensing output time and blocking time can be used to interval detecting products. Meantime, this function will effectively restrict the interference in the load switching process.
- Optional Working Voltage: DC3-18V.

- Micro-power Consumption: When DC=5V, Quiescent current  $\leq 50\mu\text{A}$ .
- High Level Signal Output: Convenient to connect with all kinds of circuit.
- Long Detecting Range: 20m.

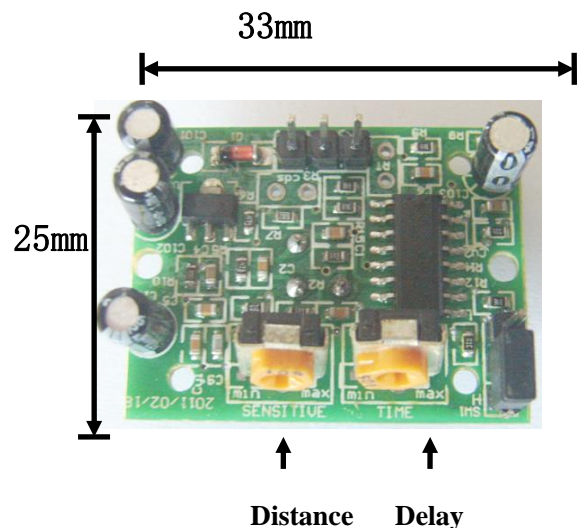
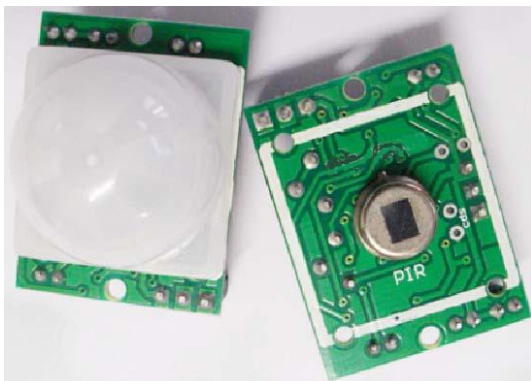
## Applications

- Human sensing lamps and lanterns
- Human detecting toys
- Security product
- Auto-sensing electric devices
- Industrial automatic control
- Battery supply auto-control products

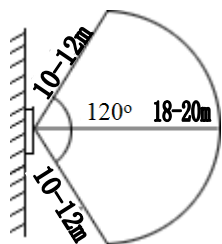
## Technical parameters

Operating Voltage	DC3-18V
Quiescent Current	50uA
Voltage Output	High level 3.3V and low level 0V
Triggering Method	L for unrepeatable triggering mode / H for repeatable triggering mode(Defaulted)
Delay Time	Defaulted 5s, 5-200s adjustable.
Blocking Time	Defaulted 2.5s
PCB Dimension	33mm*25MM
Sensing Angle	<math>110^\circ</math> taper angle
Sensing Range	Within 20m
Working Temperature	From $-20^\circ$ to $+80^\circ$
Lens Dimension	Defaulted 23mm

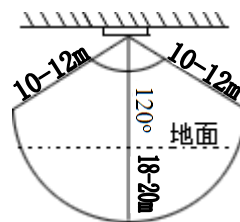
## Dimension and Regulate



## Sensing Range

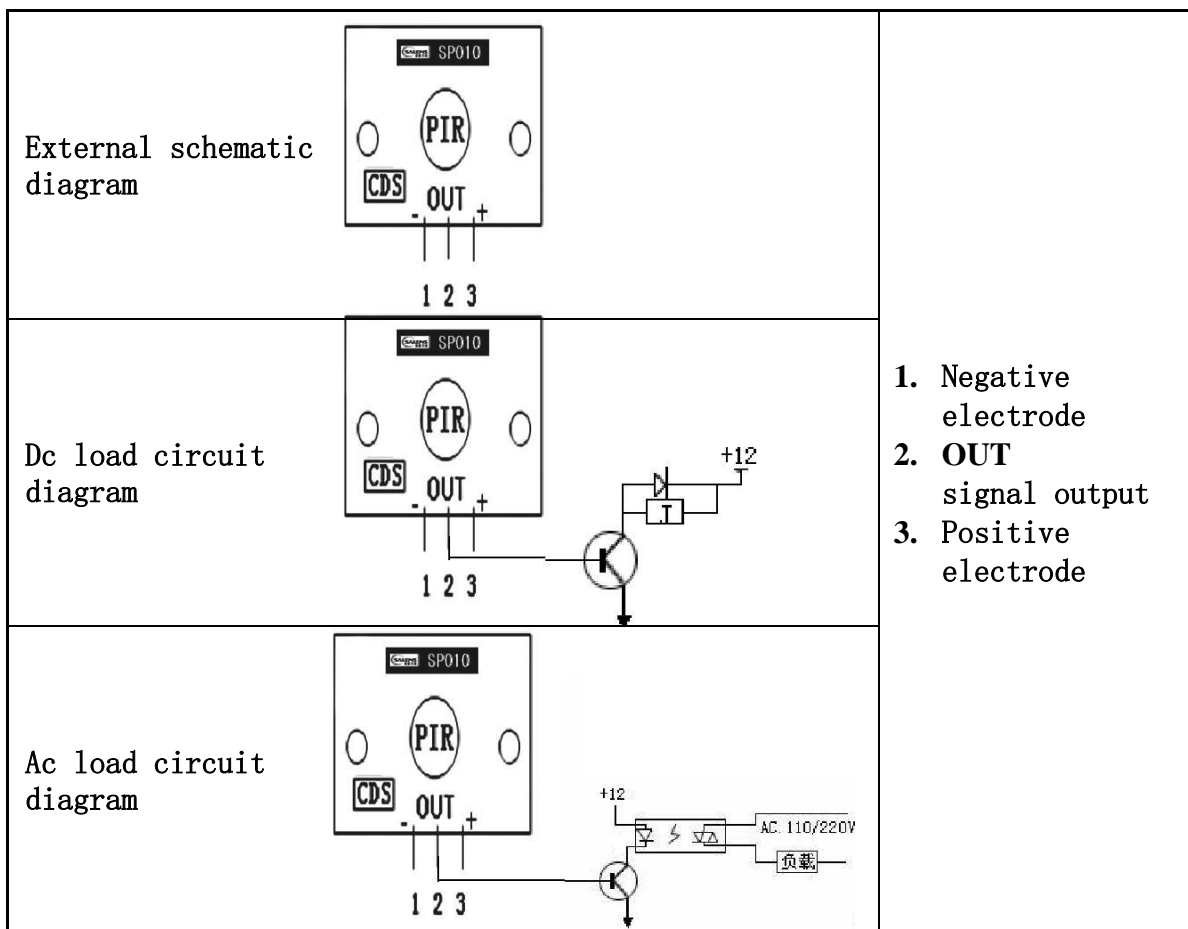


Wall mount



Ceiling mount

## Wiring Diagram



## Attention

- There is an initialization time about 30 seconds after charging the module. During this period, the module will alternately turn on and off for 10 seconds. Then it starts the normal standby status after 1 minute.
- To avoid receiving interference signal to generate malfunction, please don't expose the lens directly to the light or other interferences while installing. Try to avoid floating wind in the operating environment, since it will interfere the device.
- Please notice the right direction and angle while installing. Try to parallel the square window of the module to the direction with the most human activities to reach the best sensing effect.
- The sensing range will be shorter when the environment increases to human surface temperature (30~32°C). It's a normal outcome of temperature influence.