

## SL620 PIR Motion Detector Module

### Product Overview:

SL620 is a pyroelectric sensor module which is developed for human body detection. Widely used in the intellectuality detection of human body , for lighting ,motion sensor and security systems.

### Product Features:

#### Automatic Induction:

When people enter into the range of induction, it will output high level; when people leave , it will turn off high level and output low level with delay.

Photoresistor control (it is optional, default setting: no):It will trigger only in the darkness.

#### Triggering in two ways:

#### A .Non-repeatable triggering mode:

After the sensor output high level with a period delay, automatically turns to output low level.

#### B. repeatable triggering mode:

After it outputs high level, during the delay period, if there is presence of people, it keeps on outputting high level until people leave, then turns to low level.

Output type : High/low level output.

### Applications:

The human body induced a lamp .

The human body induced a toy.

Anne defends a product .

The industrial automation controls .

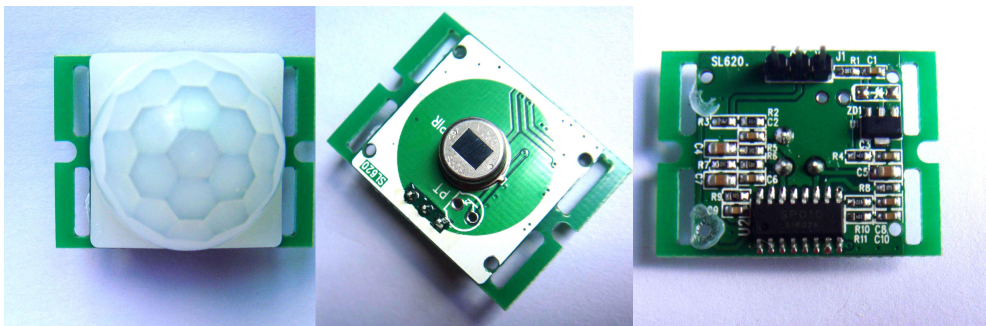
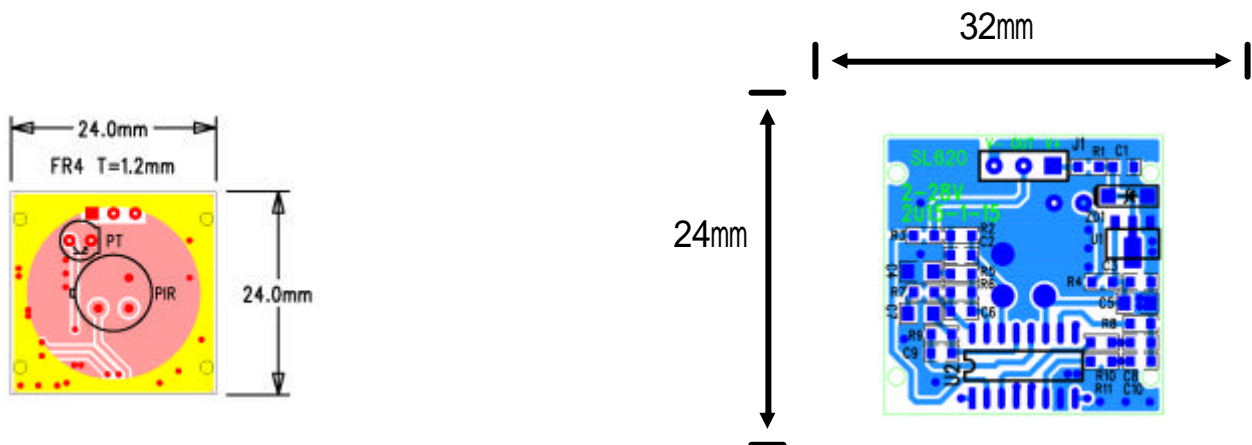
Automatically induced an electric appliances equipment.

The battery power supply automatic control waits.

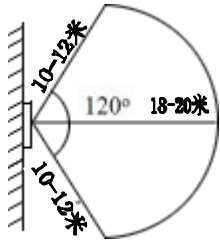
## Technical parameters :

Supply current	DC 1.8V--28V
Current drain	<50uA
Voltage Output	High/Low level signal:2.5V TTL output
Detection distance	18--20M(can be adjusted )
Detection range	<120 °
Delay time	10S(can be adjusted, default 5s +-3%)
Blockade time	1 S(default)
Trigger	L:Non-repeatable trigger H:Repeat Trigger (default)
Turn off during daylight	Use CDS (Default :included ,Not welded)
Compact size	32mm*24mm
Work temperature	-20-+85 ° C

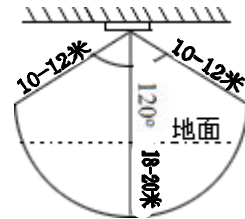
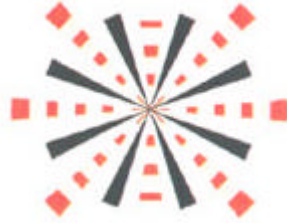
## Dimension and Regulate:



# Detect angle



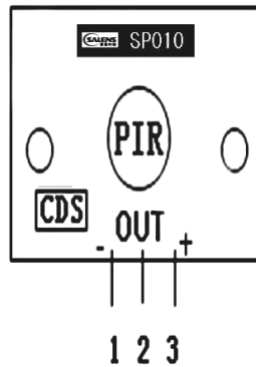
(墙壁安装图示)



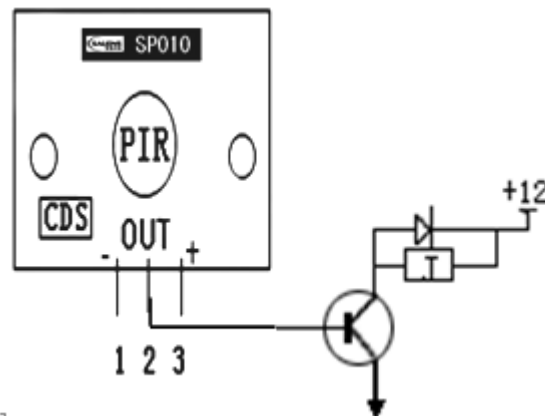
(吸顶安装图示)

## Typical Application:

Control relays :



Alternating current control :



## Caution note:

The first time use the PIR Motion detector module, it need about one minutes initialization time, during this time, the signal triggered by the module not stable, after one minute ,module will be normal.

Do not exposed to direct sun light or lighting, big wind, near a heater or air condition.

Do not fix it at a place where there are obstructing material (ex. Glass, dense clothes) which IR cannot get through.

Do not fix it in strong shock or vibration environment .